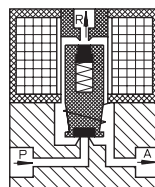


### Type MA 301

3-way solenoid valve  
direct actuated, NC  
(normally closed)



**Application**  
Neutral liquids, gases  
and vapors



Type/ Order No.	Orifice [mm]	Port size	Pressure range [bar]		kv-value [m³/h]	Weight [kg]
			AC	DC		
MA 301-001	1,0	Flange	0 - 10	0 - 10	0,03	0,090
MA 301-002	1,6	Flange	0 - 6	0 - 6	0,06	0,090
MA 301-003	2,2	Flange	0 - 3	0 - 3	0,11	0,090

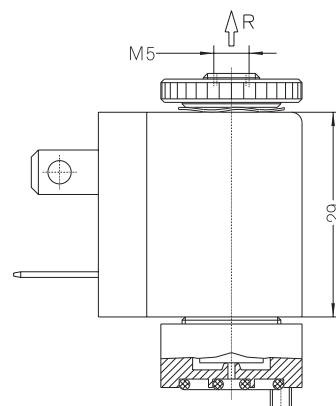
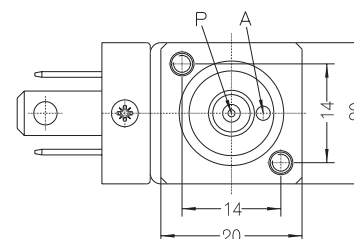
Sealing material: **P** (NBR) **E** (EPDM) **V** (FPM)

Body material: Brass  
 Inner parts: Stainless steel (1.4105)  
 Mounting direction: Free, preferred upwards  
 Max. ambient temp.: 50 °C  
 Viscosity of the medium: max. 21 mm²/s (3 °E)  
 Static pressure: max. 20 bar  
 Standard voltage: DC: 24, 12 V  
 AC: 230 V, 115 V, 42 V,  
 24 V, 12 V, (50 or 60 Hz)

Power consumption: 5 VA / 5 W  
 Voltage tolerance: -15%... +10%  
 Duty cycle: 100%  
 Operating frequency: max. 1000/min  
 Degree of Protection: IP 54 (EN 60529)

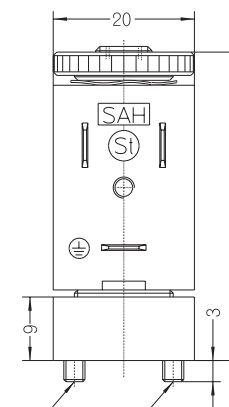
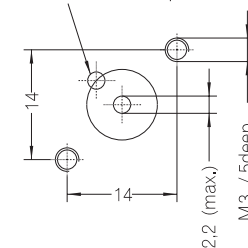
Other configurations upon request

The right to modification is reserved



mounting diagram

Ø2.2(max.) on pitch-Ø9



M3x12 DIN 965 and  
O-rings 2,5x1,5 / 12x1,5  
included



Dimensions in mm